

16" Electric Single Cast Iron Crepe Maker, Round Body

ITEM: 47388

Model: CE-CN-0400R



SPECIFICATION

Item	47388
Power	1750 W / 2.35 HP
Electrical	120V / 60Hz / 1Ph
Temperature	60 – 300°C / 140 – 570°F
Plate Diameter	16" / 406 mm
Plate Material	Cast Iron
Body Material	Stainless Steel
Net Dimensions (WDH)	19.7" x 19.7" x 7.1" 500 x 500 x 180 mm
Gross Dimensions (WDH)	21.7" x 21.7" x 8.7" 550 x 550 x 220 mm
Net Weight	29 lbs/ 13.16 kg
Gross Weight	32.6 lbs/ 14.8 kg

Upgrade your culinary experience with this cutting-edge crepe making griddle, designed to simplify and streamline the cooking process. Boasting a non-stick cast iron plate and a durable stainless steel body, this griddle is built to last.

Perfect for various establishments, including bistros, cafeterias, restaurants, bakeries and dessert bars.

Telephone: 1-800-465-0234

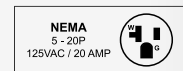
Fax: (905) 607-0234

Email: sales@omcan.com

Website: www.omcan.com



Authorized Dealer



16" Single Electric Cast Iron Crepe Maker, Round Body



Easy-to-use
thermostatic control feature and indicator light for simple and effortless operation.



16" Cooktop
made of cast iron with commercial-grade non-stick surface for flawless crepe with perfect results everytime.



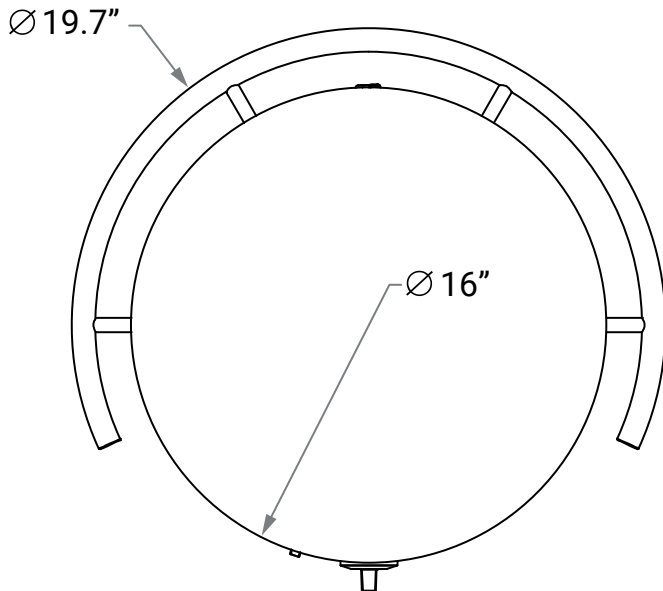
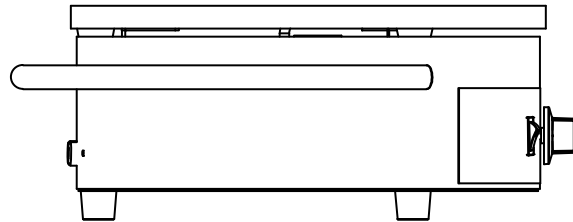
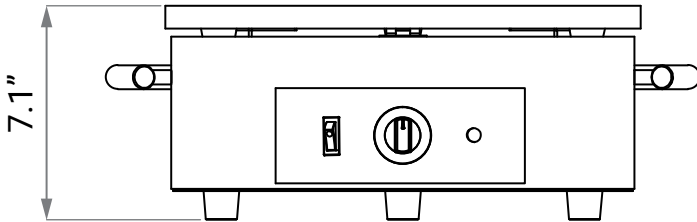
Safety ring
circles the hot plate to prevent heat exposure injuries, protecting your staff and equipment.



Non-drip feet
provide stability on different surface ensuring safe operation in busy kitchen.

DIMENSIONS

(Measurements in diagrams are in inches)



Includes

- 1 x stainless steel spatula
- 1 x wooden spreader